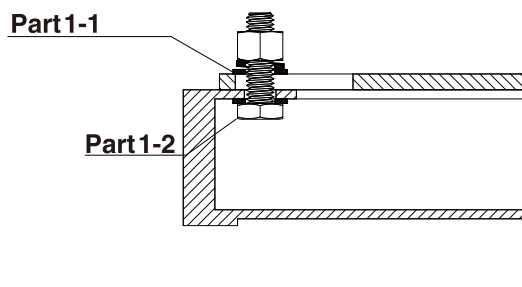
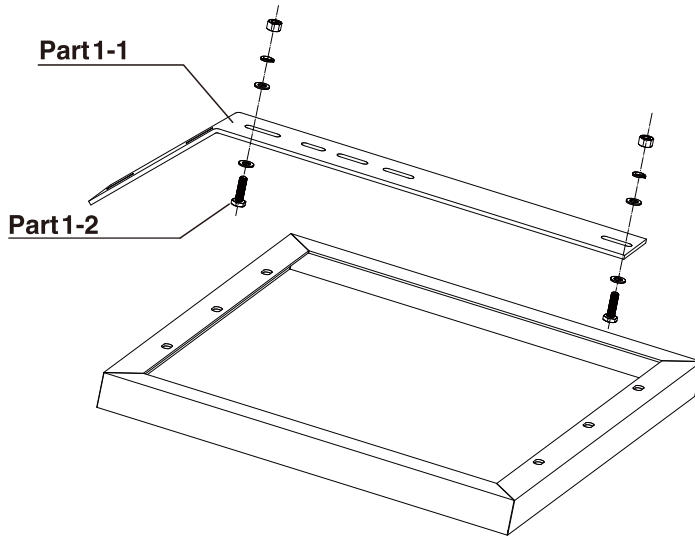


# SLB-0121 | Installation Manual

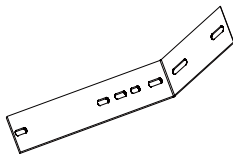
## Universal Flat Mount Bracket kit

The Solarland<sup>®</sup> SLB-0121 mounting kit has been specifically design for use with the Solarland<sup>®</sup> SLP Series 5W – 20W panels. This mount is a fixed.

### Components And Parts

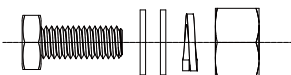


### Part



#### Part 1-1

Component	Fixed Bracket
Material	1/8" Galvanized Steel
Quantity	1



#### Part 1-2

Component	Mounting Bolt(M5&M6)
Material	AISI304
Quantity	2&2

### Step1.

Attach the PV module to the mounting bracket using the bolts, washers and lock washers provided. We suggest you lubricate all nuts and bolts to facilitate easy removal at a later date.

### Note

Smaller bolts and nuts provided with the kit are for use with Solarland's SLP005-SLP010 panels.

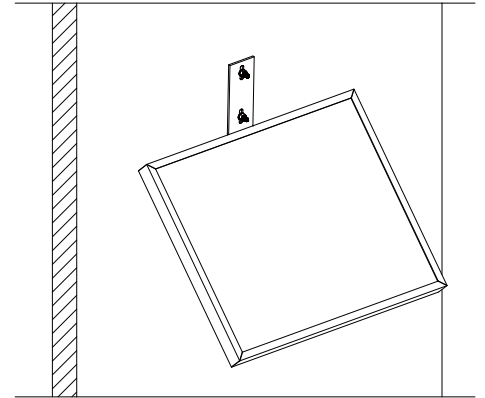


figure 1

### Step2.

For vertical wall mounting, drill holes on the mounting place to be installed according to size of the fixed bracket. Embed two molly bolts into the mounting surface. See figure 1. Use washers and lock washers and nuts to secure the PV module and mount assembly to the wall.